



The SPGLtsm thyristor switch makes reaction times of 1 to 40 milliseconds possible. The system is practically without reactive effects, at zero voltage level (no voltage between a input and output) when the switching is done, the application non-linear loads like seal machine.

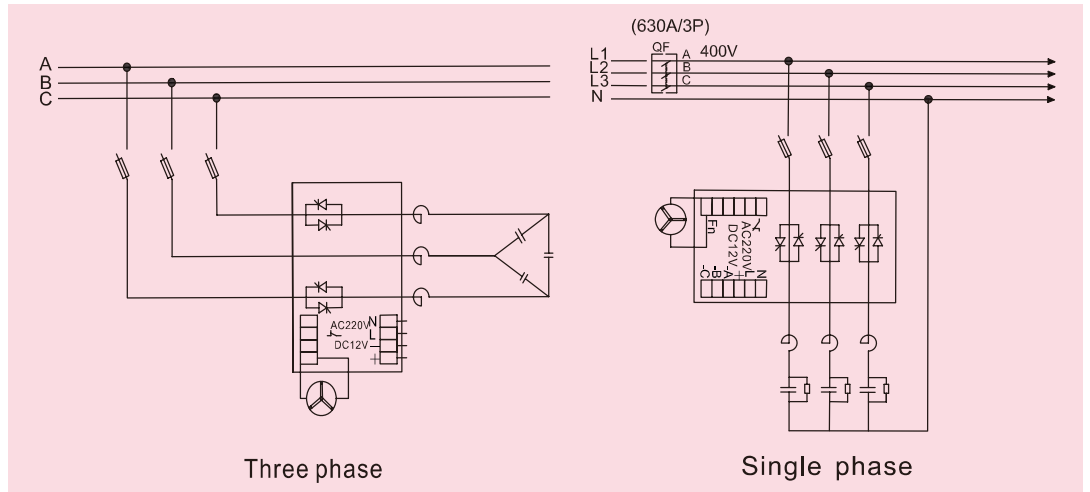
Features

- Zero voltage level switching
- Very compact design
- Permanent self-controlling of voltage permanent, phase sequence, capacitor output
- No auxiliary supply voltage needed
- Real time power factor compensation
- Smooth switching of the capacitor
- Display of operation or faults
- Over heating protection
- Dual, three-way terminal
- Controllable fan included
- Single phase application

Specification & rates

Order No.	SPGLtsm25-3	SPGLtsm50-3	SPGLtsm10-1	SPGLtsm15-1
Power in kvar	25Kvar	50Kvar	10Kvar	15Kvar
Control phase	three phase	three phase	single phase	single phase
Nominal current	37A,400V	72.5A,400V	25.1A,230V	37.6A,230V
Time period	1...20ms			
Discharging of capacitors	discharging resistors			
Time for re-switch	1...40ms			
Auxiliary voltage	230V to 690V 50/60 Hz			
Consumption	7-9 VA			
Control voltage	DC 12 ± 2V			
Over-heating protection	>80°C,automatic			
Temperature range	-25 to +55°C			
DC-supply for external use	12 VDC,50mA			
Weight/kg:	4kg			
Terminal & Dimension	dual, three way terminal strip, 160x157x175(HxWxD)			
Cooling	fan system, ≤22W			
Protection level	IP30			
Humidity	10-95%, without moisture condensation			
Max altitude	1000m above sea level			
Ambient temperature	-10°C-+45°C			

Electric connection



Mounting draw

