

谐振 / 吸收电容

Resonance / Snubber Capacitors

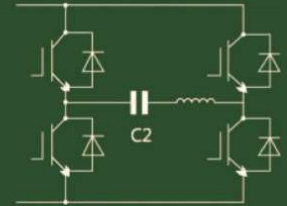


MKPS-PS Series

应用 / Application

- 应用于电力电子设备中的串/并联谐振:
Widely used in power electronic devices in series/parallel resonant circuit;
- 应用于电力电子设备中开关器件关断时的尖峰电压, 尖峰电流吸收保护。
Widely used in power electronic equipment when the peak voltage, peak current absorption protection.

典型应用电路 / Typical Circuit

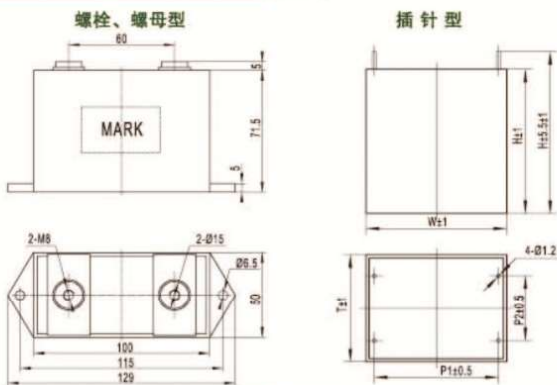


Resonance Capacitors(C2)

特点 / Introduction

- 塑料外壳封装, 阻燃环氧树脂注塑;
Plastic, Sealed with epoxy resin;
- 体积小, 引出方便安装;
Small size, easy installation;
- 无感式结构, ESL低、ESR小, 高脉冲电流, 高DV/DT承受能力; 耐压高, 损耗小, 温升低, 寿命长等特点。
Non inductive structure, ESL low, ESR small, high pulse current, high DV/DT bearing capacity, high pressure, low loss, low temperature rise, long life and so on.

外形图 / Outline Drawing



技术参数 / Technical Data

执行标准 Implemented Standard	GB/T 17702、IEC61071
气候等级 Climatic Category	40/85/21
额定电压 (Un)Rated Voltage	1600V.DC~6000V.AC
容量范围 (Cn)Capacitance Range	0.1 μ F~8 μ F
容量偏差 Capacitance Tolerance	±5%(J)、±10% (K)
耐电压 Withstand Voltage	
极间 Between Terminals	1.5Un(VDC)/60S
极壳 Between Terminals And Case	2*Ui+1000V.AC /60S@50Hz
绝缘电阻 Insulation Resisitance	≥5000S(100VDC,60S at 20°C)

部分常用规格 / Dimension

插针型

Cn (μ F)	Dimension(mm)			P1	P2	DV/DT (V/μ S)	Ipk(A)	ESR (mΩ)	ESL (nH)	Irms(A) @40°C
	W	T	H							
Un 700V.DC Us 1050V Ur400V.AC										
1	42.5	24.5	27.5	37.5	20.3	450	450	8	24	12
2.5	42.5	33	45	37.5	10.2	400	1000	6	23	19
8	57.5	42.5	56	52.5	10.2	200	1600	2.8	30	33
Un 1000V.DC Us 1500V Ur500V.AC										
0.68	42.5	24.5	27.5	37.5	20.3	800	544	8	25	12
1.5	42.5	33	45	37.5	10.2	700	1050	6	24	15
5.6	57.5	42.5	56	52.5	10.2	400	2240	2.8	24	32
Un 1200V.DC Us 1800V Ur550V.AC										
1.5	42.5	33	45	37.5	10.2	800	1200	5	20	15
3	57.5	35	50	52.5	10.2	600	1800	4	27	25
4.7	57.5	42.5	56	52.5	10.2	420	1974	3.2	23	32
Un 1700V.DC Us 2250V Ur575V.AC										
1.5	57.5	30	45	52.5	20.3	1200	1800	5	31	20
3	57.5	38	54	52.5	10.2	700	2100	4	27	25
4	57.5	42.5	56	52.5	10.2	450	1800	3.2	25	32
Un 2000V.DC Us 3000V Ur700V.AC										
0.33	42.5	33.5	35.5	37.5	20.3	1500	495	12	24	12
0.82	42.5	33	45	37.5	10.2	1200	984	7	28	22
2.2	57.5	42.5	56	37.5	10.2	700	1540	4	23	32
Un 3000V.DC Us 4500V Ur750V.AC										
0.15	42.5	33	45	37.5	10.2	2500	375	18	28	25
0.33	57.5	35	50	52.5	20.3	1800	495	12	24	20
0.68	57.5	42.5	56	52.5	10.2	1500	1020	8	22	28

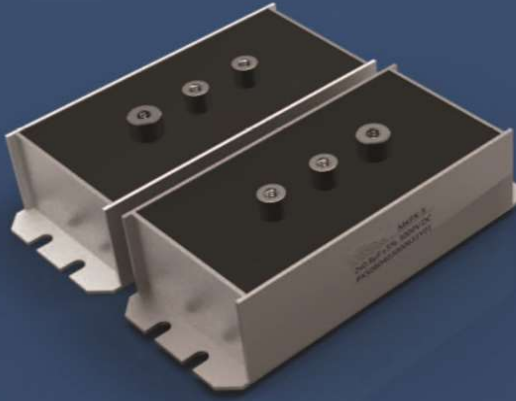
螺栓、螺母型

Cn (μ F)	ESR@ 1kHz(mΩ)	ESL (nH)	DV/DT (V/μ S)	Ipk(A)	Irms(A) @40°C
Un 4000V.DC Us 6000V Ur1500V					
0.6	8	30	1000	600	100
0.7	7	30	1000	700	100
0.8	6	30	1000	800	100

谐振电容

Resonant Capacitor

SPGL
STANDARD-POWER

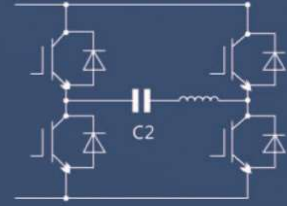


MKPX-S Series

应用 / Application

- 应用于电力电子设备中的串/并联谐振：
Widely used in power electronic devices in series/parallel resonant circuit;
- 电焊机，电源，感应加热设备等谐振场合。
Widely used in welding, power supplies, induction heating equipment resonance occasions.

典型应用电路 / Typical Circuit

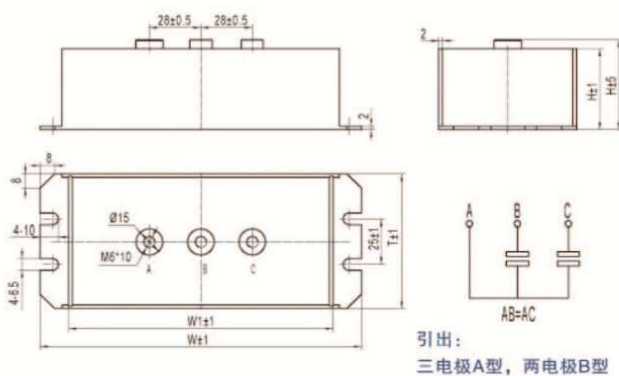


Resonance Capacitors(C2)

特点 / Introduction

- 铝壳封装，阻燃环氧树脂注塑；
Aluminum enclosure packaging, Sealed with epoxy resin;
- 铜螺母引出，方便安装；
Copper nut lead, convenient installation;
- 无感式结构，ESL低、ESR小，高脉冲电流，高DV/DT承受能力；耐压高，损耗小，温升低，寿命长等特点。
Non inductive structure, ESL low, ESR small, high pulse current, high DV/DT bearing capacity, high pressure, low loss, low temperature rise, long life and so on.

外形图 / Outline Drawing



技术参数 / Technical Data

执行标准 Implemented Standard	GB/T 3984、IEC60110
气候等级 Climatic Category	40/85/21
额定电压 (Un) Rated Voltage	1600V.DC-6000V.DC
容量范围 (Cn) Capacitance Range	0.1 μF-10 μF
容量偏差 Capacitance Tolerance	±5%(J)、±10% (K)
耐电压 Withstand Voltage	
极间 Between Terminals	1.5Un(VDC)/60S
绝缘电阻 Insulation Resistance	≥10000S(100VDC,60S at 20℃)

常用规格 / Dimension

Type A

Cn (μF)	Dimension(mm)				ESR (mΩ)	DV/DT (V/μS)	Ipk(A)	Imax(A) @40℃	应用功率 (KW)
	W	T	H	W1					
Un 2000V.DC Urms 700V.AC Up1000V									
2*0.68	178	78	35	153	16	1000	680	2*70	15-25
2*1.0	178	78	35	153	11	1000	1000	2*80	15-30
2*1.2	178	78	35	153	9.5	1000	1200	2*70	15-30
2*1.4	178	78	35	153	8	1000	1400	2*80	15-30
2*1.6	178	78	35	153	7	1000	1600	2*80	25-30
2*1.9	178	78	35	153	5	1000	1900	2*60	10-15
Un 3000V.DC Urms 1200V.AC Up1700V									
2*0.5	155	65	45	125	10	1200	600	2*60	10-15
2*0.6	155	65	45	125	8	1200	720	2*60	15-20
2*0.7	155	65	45	125	7	1200	840	2*60	15-20
2*0.8	175	74	45	145	6	1200	960	2*70	15-20
2*0.9	175	74	45	145	5.5	1000	1080	2*80	25-30
2*1.0	175	74	45	145	5	1200	1200	2*80	25-30
2*1.2	175	74	45	145	4	1200	1440	2*80	25-30
2*1.3	175	74	45	145	3.5	1200	1560	2*80	25-30
2*1.4	175	74	45	145	3	1200	1680	2*80	25-30
2*1.5	175	74	45	145	3	1200	1800	2*80	25-30

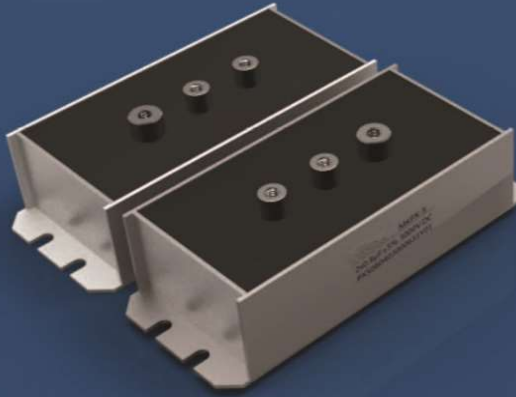
Type B

Cn (μF)	Dimension(mm)					ESR (mΩ)	DV/DT (V/μS)	Ipk(A)	Imax(A) @40℃
	W	T	H	W1	P				
Un 3600V.DC Urms 1400V.AC Up1900V									
0.6	155	65	46	125	56	8	1000	600	100
0.8	155	65	46	125	56	6	1000	800	100
1	155	65	46	125	56	5	1000	1000	100
1.4	175	74	46	145	56	4	1000	1400	100
Un 6000V.DC Urms 2200V.AC Up3100V									
0.5	210	90	84	180	80	13	1200	600	160
0.85	210	90	84	180	80	7.5	1200	1020	160
1.1	210	90	84	180	80	6	1200	1320	160
1.3	210	90	84	180	80	5	1200	1560	160

谐振电容

Resonant Capacitor

SPGL
STANDARD-POWER

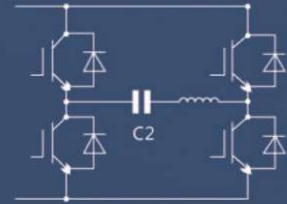


MKPX-S Series

应用 / Application

- 应用于电力电子设备中的串/并联谐振;
Widely used in power electronic devices in series/parallel resonant circuit;
- 电焊机, 电源, 感应加热设备等谐振场合。
Widely used in welding, power supplies, induction heating equipment resonance occasions.

典型应用电路 / Typical Circuit

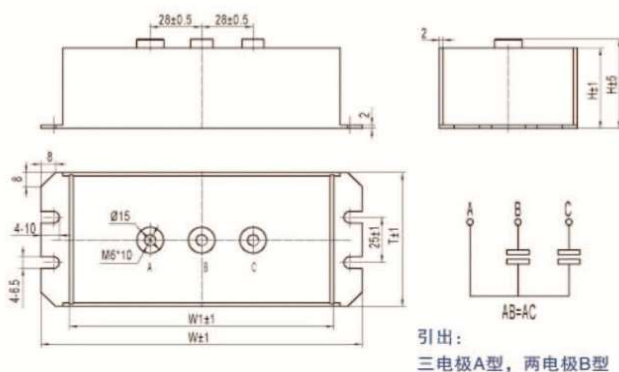


Resonance Capacitors(C2)

特点 / Introduction

- 铝壳封装, 阻燃环氧树脂注塑;
Aluminum enclosure packaging, Sealed with epoxy resin;
- 铜螺母引出, 方便安装;
Copper nut lead, convenient installation;
- 无感式结构, ESL低、ESR小, 高脉冲电流, 高DV/DT承受能力; 耐压高, 损耗小, 温升低, 寿命长等特点。
Non inductive structure, ESL low, ESR small, high pulse current, high DV/DT bearing capacity, high pressure, low loss, low temperature rise, long life and so on.

外形图 / Outline Drawing



技术参数 / Technical Data

执行标准 Implemented Standard	GB/T 3984、IEC60110
气候等级 Climatic Category	40/85/21
额定电压 (Un) Rated Voltage	1600V.DC~6000V.DC
容量范围 (Cn) Capacitance Range	0.1 μ F~10 μ F
容量偏差 Capacitance Tolerance	±5%(J)、±10% (K)
耐电压 Withstand Voltage	
极间 Between Terminals	1.5Un(VDC)/60S
绝缘电阻 Insulation Resistance	≥10000S(100VDC,60S at 20°C)

常用规格 / Dimension

Type A

Cn (μ F)	Dimension(mm)				ESR (mΩ)	DV/DT (V/μ S)	Ipk(A)	Imax(A) @40°C	应用功率 (KW)
	W	T	H	W1					
Un 2000V.DC Urms 700V.AC Up1000V									
2*0.68	178	78	35	153	16	1000	680	2*70	15~25
2*1.0	178	78	35	153	11	1000	1000	2*80	15~30
2*1.2	178	78	35	153	9.5	1000	1200	2*70	15~30
2*1.4	178	78	35	153	8	1000	1400	2*80	15~30
2*1.6	178	78	35	153	7	1000	1600	2*80	25~30
2*1.9	178	78	35	153	5	1000	1900	2*60	10~15
Un 3000V.DC Urms 1200V.AC Up1700V									
2*0.5	155	65	45	125	10	1200	600	2*60	10~15
2*0.6	155	65	45	125	8	1200	720	2*60	15~20
2*0.7	155	65	45	125	7	1200	840	2*60	15~20
2*0.8	175	74	45	145	6	1200	960	2*70	15~20
2*0.9	175	74	45	145	5.5	1000	1080	2*80	25~30
2*1.0	175	74	45	145	5	1200	1200	2*80	25~30
2*1.2	175	74	45	145	4	1200	1440	2*80	25~30
2*1.3	175	74	45	145	3.5	1200	1560	2*80	25~30
2*1.4	175	74	45	145	3	1200	1680	2*80	25~30
2*1.5	175	74	45	145	3	1200	1800	2*80	25~30

Type B

Cn (μ F)	Dimension(mm)					ESR (mΩ)	DV/DT (V/μ S)	Ipk(A)	Imax(A) @40°C
	W	T	H	W1	P				
Un 3600V.DC Urms 1400V.AC Up1900V									
0.6	155	65	46	125	56	8	1000	600	100
0.8	155	65	46	125	56	6	1000	800	100
1	155	65	46	125	56	5	1000	1000	100
1.4	175	74	46	145	56	4	1000	1400	100
Un 6000V.DC Urms 2200V.AC Up3100V									
0.5	210	90	84	180	80	13	1200	600	160
0.85	210	90	84	180	80	7.5	1200	1020	160
1.1	210	90	84	180	80	6	1200	1320	160
1.3	210	90	84	180	80	5	1200	1560	160

谐振电容

Resonant Capacitor

SPGL
STANDARD-POWER



MKPX-P Series

应用 / Application

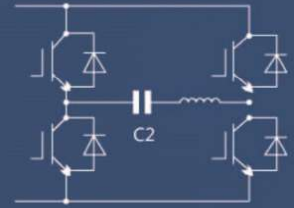
●应用于电力电子设备中的串/并联谐振:

Widely used in power electronic devices in series/parallel resonant circuit;

●电焊机, 电源, 感应加热设备等谐振场合。

Widely used in welding, power supplies, induction heating equipment resonance occasions.

典型应用电路 / Typical Circuit

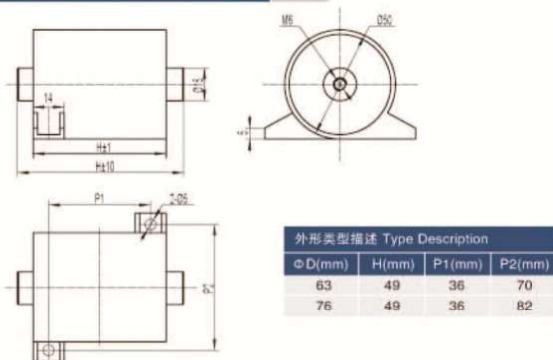


Resonance Capacitors(C2)

特点 / Introduction

- 塑料外壳封装, 阻燃环氧树脂注塑;
Plastic packaging, Sealed with epoxy resin;
- 铜螺母引出, 方便安装;
Copper nut lead, convenient installation;
- 无感式结构, ESL低、ESR小, 高脉冲电流, 高DV/DT承受能力; 耐压高, 损耗小, 温升低, 寿命长等特点。
Non inductive structure, ESL low, ESR small, high pulse current, high DV/DT bearing capacity, high pressure, low loss, low temperature rise, long life and so on.

外形图 / Outline Drawing



技术参数 / Technical Data

执行标准 Implemented Standard	GB/T 3984、IEC60110
气候等级 Climatic Category	40/85/21
额定电压 (Un) Rated Voltage	1200V.DC~2000V.DC
容量范围 (Cn) Capacitance Range	1 μF~8 μF
容量偏差 Capacitance Tolerance	±5%(J)、±10%(K)
耐电压 Withstand Voltage	
极间 Between Terminals	1.5Un(VDC)/60S
绝缘电阻 Insulation Resistance	≥5000S(100VDC,60S at 20℃)

常用规格 / Dimension

Cn (μF)	Dimension(mm)		ESR (mΩ)	ESL (nH)	DV/DT (V/μS)	Ipk(A)	Imax(A) @40℃
	ΦD	H					
Un 1200V.DC Urms 500V.AC Up700V							
2	63	50	9.6	21	500	1000	30
3	63	50	6.4	22	500	1500	35
4	63	50	4.8	22	400	1600	45
5	63	50	3.8	23	500	1500	50
6	76	50	3.2	25	350	2100	60
7	76	50	2.7	25	300	2100	65
Un 1600V.DC Urms 600V.AC Up850V							
2	63	50	9.6	21	700	1400	30
3	63	50	6.4	22	600	1800	35
4	63	50	4.8	22	550	2200	45
5	76	50	3.8	23	500	2500	55
6	76	50	3.2	25	450	2700	65
Un 2000V.DC Urms 700V.AC Up990V							
2	63	50	9.6	21	800	1600	50
3	63	50	6.4	22	700	2100	55
4	76	50	4.8	22	600	2400	65