

GTO 缓冲吸收电容

Buffer Absorption Capacity For GTO



MKPS-TC Series



应用 / Application

- GTO缓冲吸收;
GTO Snubber
- 广泛应用于电力电子设备中开关器件关断时的尖峰电压, 尖峰电流吸收保护。
Widely used in power electronic equipment when the peak voltage, peak current absorption protection.

典型应用电路 / Typical Circuit

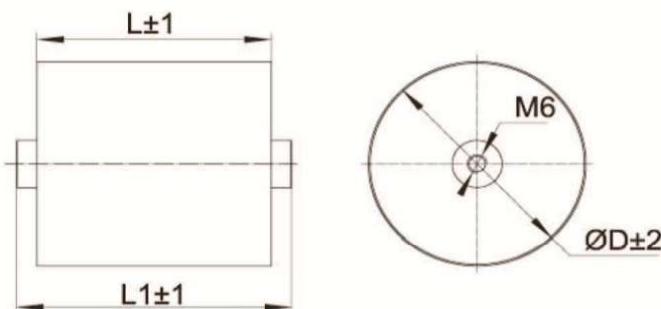


Snubber Capacitors(C3)

特点 / Introduction

- 迈拉胶带封装, 阻燃环氧树脂注塑;
Mylar tape, Sealed with epoxy resin;
- 镀锡铜线引出, 方便安装;
Tin plated copper wire lead, convenient installation;
- 无感式结构, ESL低、ESR小, 高脉冲电流, 高DV/DT承受能力; 耐压高, 损耗小, 温升高, 寿命长等特点。
Non inductive structure, ESL low, ESR small, high pulse current, high DV/DT bearing capacity, high pressure, low loss, low temperature rise, long life and so on.

外形图 / Outline Drawing



技术参数 / Technical Data

执行标准 Implemented Standard	GB/T 17702、IEC61071
气候等级 Climatic Category	40/85/21
额定电压 (Un) Rated Voltage	3000V.DC~20000V.DC
容量范围 (Cn) Capacitance Range	0.068 μ F~3 μ F
容量偏差 Capacitance Tolerance	± 5%(J)、± 10% (K)
耐电压 Withstand Voltage	
极间 Between Terminals	1.5Un(VDC)/60S
绝缘电阻 Insulation Resistance	≥ 5000S(100VDC,60S at 20℃)

常用规格 / Dimension

Cn (μ F)	Dimension(mm)			ESL (nH)	DV/DT (V/μ S)	Ipk(A)	Imax(A) @ 40℃ 10KHz
	ΦD	L	L1				
Un 3000V.DC							
0.22	35	44	52	25	1100	242	30
0.33	43	44	52	25	1000	330	35
0.47	51	44	52	22	850	399	45
0.68	61	44	52	22	800	544	55
1	74	44	52	20	700	700	65
1.2	80	44	52	20	650	780	75
Un 6000V.DC							
0.22	43	60	72	25	1500	330	35
0.33	52	60	72	25	1200	396	45
0.47	62	60	72	25	1000	470	50
0.68	74	60	72	22	900	612	60
1	90	60	72	22	800	900	75
Un 7000V.DC							
0.22	45	57	72	25	1100	242	30
0.68	36	80	92	28	1000	680	25
1	43	80	92	28	850	850	30
1.5	52	80	92	25	800	1200	35
1.8	57	80	92	25	700	1260	40
2	60	80	92	23	650	1300	45
3	73	80	92	22	500	1500	50
Un 8000V.DC							
0.33	35	90	102	30	1100	363	25
0.47	41	90	102	28	1000	470	30
0.68	49	90	102	28	850	578	35
1	60	90	102	25	800	800	40
1.5	72	90	102	25	700	1050	45
2	83	90	102	25	650	1300	50